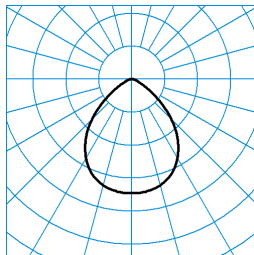


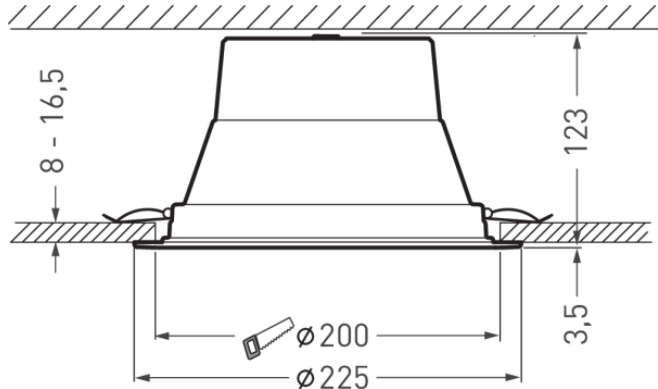
2320 C07 WR LED2000-830 ETDD

TOC: 7241551



TX076428
 UGR I = 22.4
 UGR q = 22.4
 DIN 5040: A50
 UTE: 1,00 C

■ CO - C180



Offer text

Round LED recessed downlight. Tool-free ceiling installation via rapid-mounting springs. Cut-out opening Ø 200 mm, Recess depth = 125 mm. Reflector, coated white. With rotationally symmetric narrow-wide light distribution. Luminaire luminous flux 1900 lm, connected load 18,00 W, luminous efficiency of luminaire 106 lm/W. Light colour warm white, correlated colour temperature (CCT) 3000 K, general colour rendering index (CRI) R_a > 80. Mean rated service life L70(t_q 20 °C) = 50,000 h. Luminaire body of die-cast aluminium, Colour white. Luminaire diameter Ø 225 mm, luminaire height 126,5 mm. With electronic transformer, digitally dimmable (DALI). Weight 0,6 kg.

Touch-DIM capability:

The Touch-DIM function enables switching and dimming of the luminaire by means of a push-button via the DALI conductor pair. Primarily designed to control a single luminaire, up to 4 luminaires can be also controlled together with consideration of the total cable length (maximum of 25 m from push-button to farthest luminaire). In principle, malfunctions in the form of asynchronism may occur due to disturbances on the building side despite observance of the specified general conditions.

TRILUX recommends the use of specially suitable DALI controllers and DALI repeaters to reliably implement the requirement of a Touch-DIM function for several luminaires.

Product features and key data

Luminaire type	Round LED recessed downlight.
Luminaire optic	Reflector, coated white.
Connected load	18 W
Colour temperature	3.000 K
Rated luminous flux	1.900 lm
Luminous efficacy	106 lm/W
CEN flux code	66 93 99 100 100 0 0 0 0
Service life	L70 (20 °C) = 50.000 h
Colour rendering index	80
Photobiological class	Group 0 - no risk
Luminaire colour	RAL9016 Traffic white
Luminaire body	Luminaire body of die-cast aluminium,
Electrical version	With electronic transformer, digitally dimmable (DALI).
Connection method	Terminal
Wire diameter	1,50 mm ²
Monitoring Ready	No
Mains frequency	50/60 Hz
Mains voltage	220 - 240 V
Ingress Protection (IP) rating	IP20
Protection class	II
Impact resistance (IK)	IK02
Hot wire resistance	650 °C
Ambient temperature	25 °C
Net height	126,50 mm
Outside diameter	225 mm
Recess depth	125 mm
Weight	0,6 kg
Recessing diameter	200 mm